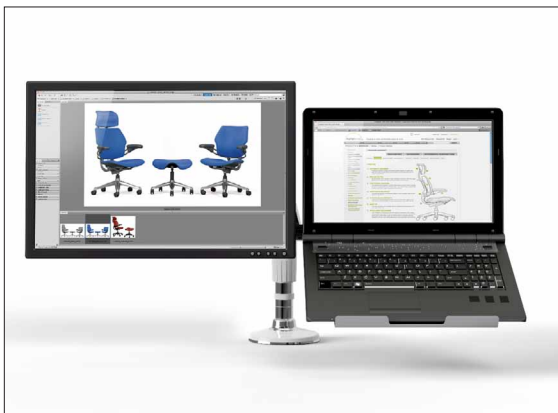
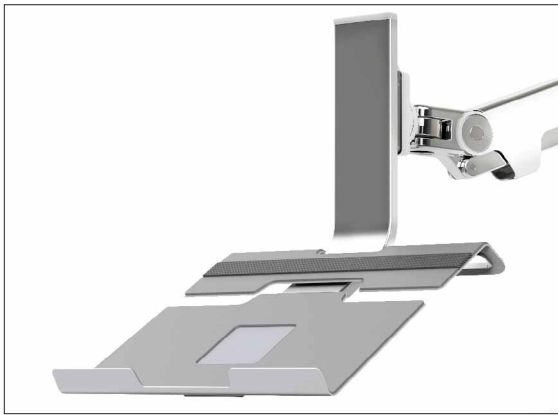


M2/M8 Notebook Holder



Laptops are widely used, yet generally do not encourage ergonomic posture, often creating what's known as "laptop hunch." Ergonomics leader Humanscale has now developed an innovative tool that allows people to work on their laptops in a healthy posture while clearing valuable desk space.

Humanscale's Notebook Holder, which extends from any one of our award-winning monitor arms such as the M2, the M8 and M/Flex, allows users to position the laptop with the top of the screen at eye level while using a keyboard support to hold an external keyboard—bringing the work to the user and encouraging an ergonomic posture.



Features & Specifications

- Front (adjustable) and rear (fixed) platforms support a range of laptops and docking stations, with a total length accommodation of 9" – 14" (230 mm – 355 mm)
- Multiple mounting holes on the vertical mount allow users to adjust the location of the VESA connector and align the laptop screen with neighboring monitors
- Holder supports up to 17 lbs. (7.71 kg) using the M2 and up to 20 lbs. (9.07 kg) using the M8 and M/Flex
- Velcro strip provided to secure docking station to rear platform
- Cable management grommets keep cables of varying sizes neatly organized and allow for fast, easy transitions on the go
- Adjustment knob on the bottom of the holder allows for easy laptop size adjustment
- Front cut-out offers easy access to indicator lights, ports and cables
- Open top allows contact with "hot keys" and ports
- Soft foam on the platforms protects laptop from becoming scratched
- White and Silver finish options available
- 10-year warranty

Environmental Information

The Notebook Holder contributes to valuable LEED-CI, -EB, -HC, -NC and LEED for Retail credits.

Materials Used

The Notebook Holder is composed of aluminum, steel, ABS plastic, Velcro, and foam padding.

Packaging Specifications:

Weight of individual Notebook Holder: 3 lbs. (1.37 kg)

Net weight of 5-pack: 15.1 lbs. (6.85 kg)

Gross weight of 5-pack carton: 17.6 lbs. (8 kg)

Dimensions of 5-pack carton: 19.69" x 17.72" x 12.20"
(500 mm x 450 mm x 310 mm)

Cost (USD)

White with Polished Aluminum - M2NHW \$150

Silver - M2NHS \$150