

MARCO Height Adjustable Folding Table

TOP DIMENSIONS

MF-HA

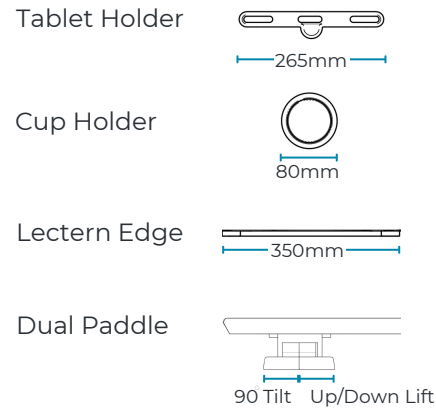
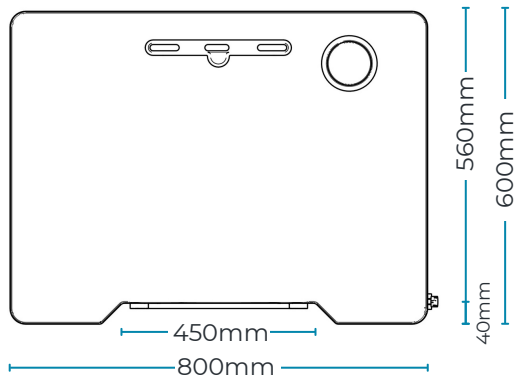
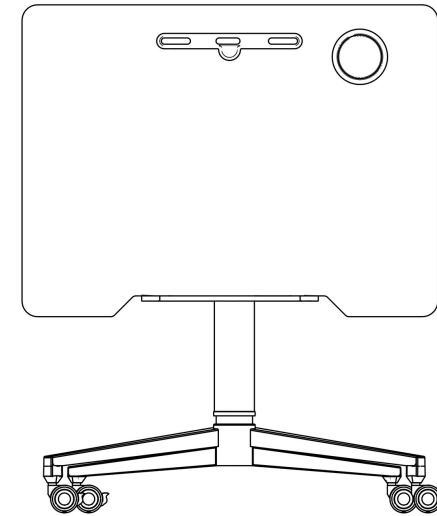
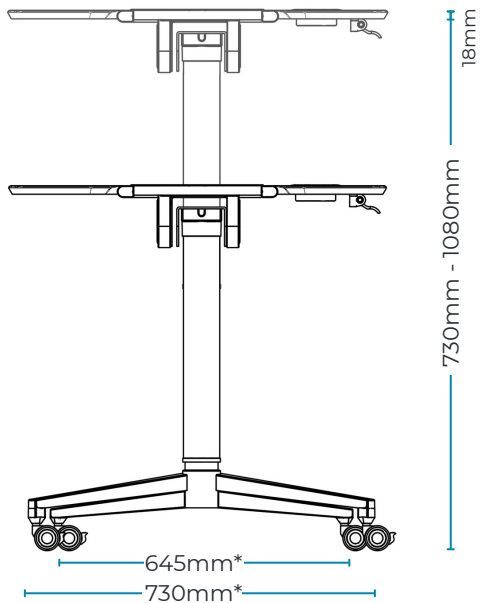


TABLE CONFIGURATION

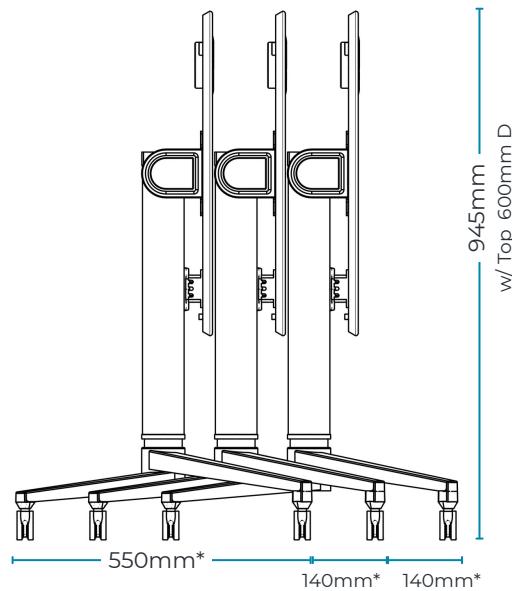
Single column - Adjustable Height / Tilt



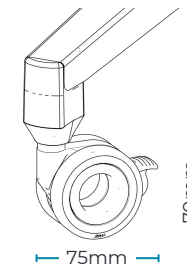
FRAME | HEIGHT DIMENSIONS



STACKING DIMENSIONS



Castor 60mm Dia



*Direction of castors may add up to 50mm



elevator