



E2

MONITOR ARMS



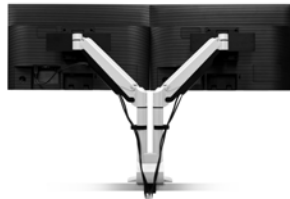
HAT
COLLECTIVE™
HUMAN ACTIVE TECHNOLOGY

SLEEK DESIGN. MAXIMUM FLEXIBILITY.

An evolution in ergonomics. Introducing “E2”, the next generation of the original Envoy monitor arm. E2 offers a polished design with maximum flexibility for user screen interaction. With a recent study citing 24% of workers experience neck pain, the E2 seeks to optimize user performance and adjustment control while eliminating the strain on neck muscles.



Dual arm features sliders for maximum adjustability



Cable management allows for a clutter-free workspace



Dual arm features tension indicator for easy installation

With a fast and easy install, quick release tilter and featured sliders on the dual arm, the E2 proves to be the ideal monitor arm for both home and office environments.

FEATURES

- **Sleek:** Clean lines and a modern silhouette provide a stylish profile for either home or office.
- **Ergonomic:** Allows monitors to be placed at an ergonomically correct distance from the user’s eyes to increase comfort and productivity no matter where a person is working.
- **Dynamic:** Portrait-to-landscape rotation feature reduces stress on the neck and shoulders.
- **Easy:** Tension indicator allows the user to pre-counterbalance arms based on monitor weight prior to installation.
- **Compatible:** VESA-monitor compatible – 75mm & 100mm VESA adapter(s) included.

SPECIFICATIONS

Finishes

Flat White
248

Vista Black
104

E2 Single

Screen Size: Up to 81.2 cm
 Height Adjustment: 33.7 cm
 Extension Range: 60.2 cm
 Max Monitor Height: 52.3 cm
 Weight Capacity:
 Flat Panel: 1 - 9 kg
 Curved: 7.2 kg
 Mount: Top down mount
 (Desk Edge, Grommet)
 Compatibility: Up to 3.8 cm desk thickness

E2 Dual

Screen Size: Up to 68.5 cm
 Height Adjustment: 33.0 cm
 Width Adjustment Range:
 44.4 - 72.3 cm
 Max Monitor Height: 46.9 cm
 Weight Capacity:
 1 - 9 kg per monitor
 Mount: Top down mount
 (Desk Edge, Grommet)
 Compatibility: 3.8 cm desk thickness

Part Numbers

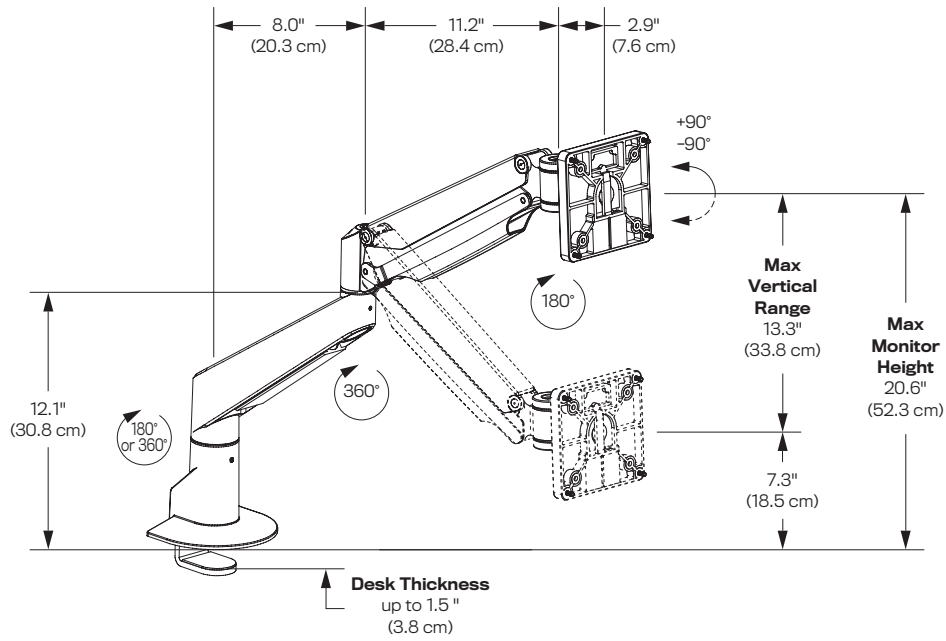
E2-1-__

E2-2-__

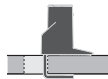
WARRANTY

10 Years

E2 SINGLE CAPABILITIES

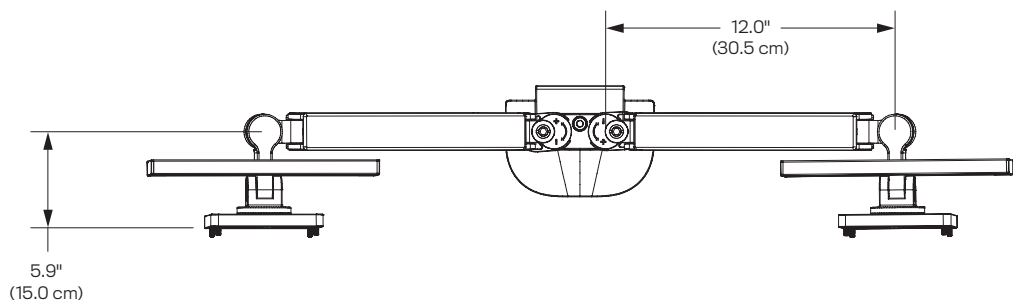
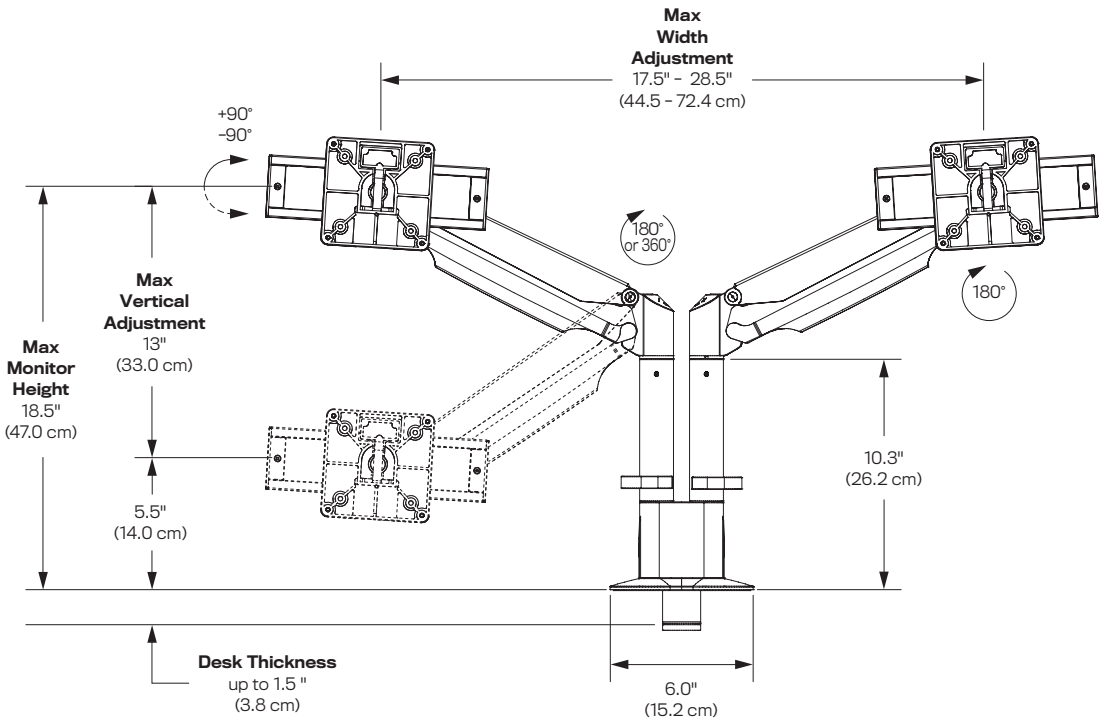


Desk Edge

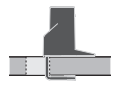


Grommet

E2 DUAL CAPABILITIES



C-Clamp



Grommet