

buroseating
ergonomics at work®

Buro Tidal Series

Mid Back | High Back | Mesh Back



Buro Tidal Series
Proudly Made in Australia

buroseating.com

Contents.

Here you will find everything you need to set up and enjoy your new Buro Tidal chair.

Page	Reference
1	About Buro Tidal Series
2	Specs & Features
3	Material Analysis
4	Certifications & Standards
5	Ergonomics Endorsement & Assessment
6	Sustainable Living Fabrics
7	Fabric Care
8	Care & Maintenance
9	Part List & Mechanism
10	Assembly Instructions
12	Tune Your Chair Operating Instructions
14	Guarantee Register Your Chair

“The Buro Tidal High Back is a very comfortable 3 lever chair with excellent seat and backrest profiles. The very nicely padded seat with the addition of memory foam in the backrest provide a high degree of comfort for the intensive user. It is well configured for a variety of postures, with a good range of adjustments.”

**Ergonomic Assessment
by Andrew Wilson
Osteopath and Ergonomist**

19th July 2021

Buro Tidal Series.

The Buro Tidal chair series is an **Officially Licensed Australian Made** product, meeting strict Australian manufacturing and quality standards. Featuring ranges from **Sustainable Living Fabrics** that are carbon neutral, GECA and low VOC certified. The Buro Tidal series is proudly **endorsed by the Australian Physiotherapy Association**, is **GREENGUARD certified**, and meets **AFRDI Level 6 'Severe Commercial' certification**.

sustainable
living
FABRICS

Endorsed by:
 AUSTRALIAN
PHYSIOTHERAPY
ASSOCIATION



*no arms
models only



Mid Back
(no arms)

High Back
(no arms)

Mesh Back
(no arms)

Mid Back
(with arms)

High Back
(with arms)

Mesh Back
(with arms)

Ranger (Teal)
243-28

Ranger (Teal)
242-28

Ranger (Teal)
244-28

Deserter (Black)
243A-23

Deserter (Black)
242A-23

Deserter (Black)
244A-23

Specs & Features.

Buro guarantee 10 yrs

Sustainable Living Fabrics fabric guarantee 12 yrs

Indicative sitting hours 8+ hrs

Buro guaranteed user weight rating 150kg

Features

- Adjustable seat height
- Ratchet height adjustable back
- Independently adjustable tilt tension
- Independently adjustable seat tilt
 - free floating or lockable
- Independently adjustable back tilt
 - free floating or lockable
- Depth adjustable seat slide
- High density moulded foam (seat & back)
- 60mm nylon castors
- 5 Star nylon base
- Adjustable lumbar support (mesh back option only)
- Sustainable Living Fabrics
 - GECA Certified/Carbon Neutral
- GREENGUARD certified
- Officially licensed AUSTRALIAN MADE
- Meets AFRDI Level 6 'Severe Commercial' certification & Australian/New Zealand Standard AS/NZS 4438:1997¹
 - Height Adjustable Swivel Chairs
- Endorsed by the Australian Physiotherapy Association

Custom Options

- Height & width adjustable arms
- Entire range of Sustainable Living Fabrics available³

Specifications (mm)

Buro Tidal Mid Back

Overall	640w / 640d / 1010h
Back	450w / 570h
Seat	530w / 490d
Seat Height	470-570h
Seat Depth	445-495d ²

Buro Tidal High Back

Overall	640w / 640d / 1125h
Back	475w / 670h
Seat	530w / 490d
Seat Height	470-570h
Seat Depth	460-510d ²

Buro Tidal Mesh Back

Overall	640w / 640d / 1095h
Back	475w / 640h
Seat	530w / 490d
Seat Height	470-570h
Seat Depth	460-510d ²

¹ AFRDI certification applies to Buro Tidal no arms models only.

² Measured from the forward-most point of the lumbar.

³ Extended lead times apply.

Material Analysis.

Buro Seating acknowledges its responsibility to develop environmentally sustainable products and business practices and consequently is committed to growing our range of chairs which are manufactured from recycled and/or recyclable materials. Buro's environmental management system (EMS) provides the framework for managing our environmental strategy;

Main Principles

- To design products and processes that utilize minimal raw materials.
- To design products with a minimum end of life recyclability of 80% in NZ and Australia.
- To reduce, reuse and recycle waste.
- To develop an understanding of legislation relating to the environment and affecting the activities of our company.

Buro is committed to developing a 'cradle to grave' process for all seating products wholesaled in NZ and Australia.

Buro Tidal Chair Material Analysis						
	Mid Back With Arms		High Back With Arms		Mesh Back With Arms	
Plastic	<ul style="list-style-type: none"> • Castors (0.54kg) • Arm Brackets (0.2kg) • Seat / Back Frame (2.1kg) • Armrests (3.7kg) • 5 Star Base (1.9kg) 	37.8%	<ul style="list-style-type: none"> • Castors (0.54kg) • Arm Brackets (0.2kg) • Seat / Back Frame (2.1kg) • Armrests (3.7kg) • 5 Star Base (1.9kg) 	37.3%	<ul style="list-style-type: none"> • Castors (0.54kg) • Arm Brackets (0.2kg) • Seat / Back Frame (1.36kg) • Armrests (3.7kg) • 5 Star Base (1.9kg) 	39.5%
Steel	<ul style="list-style-type: none"> • Seat Mechanism (5.8kg) • Screws & Bolts (0.6kg) • Gas Lift Piston & Support Tube (0.95kg) 	32.9%	<ul style="list-style-type: none"> • Seat Mechanism (5.8kg) • Screws & Bolts (0.6kg) • Gas Lift Piston & Support Tube (0.95kg) 	32.5%	<ul style="list-style-type: none"> • Seat Mechanism (5.8kg) • Screws & Bolts (0.6kg) • Gas Lift Piston & Support Tube (0.95kg) 	37.7%
Plywood	<ul style="list-style-type: none"> • Seat Plywood (2.85kg) 	12.8%	<ul style="list-style-type: none"> • Seat Plywood (2.85kg) 	12.6%	<ul style="list-style-type: none"> • Seat Plywood (2.85kg) 	14.6%
Foam	<ul style="list-style-type: none"> • Seat & Back Foam (3.2kg) 	14.3%	<ul style="list-style-type: none"> • Seat & Back Foam (3.2kg) 	15.0%	<ul style="list-style-type: none"> • Seat Foam (1.3kg) 	6.7%
Upholstery	<ul style="list-style-type: none"> • Upholstery Fabric (0.5kg) 	2.2%	<ul style="list-style-type: none"> • Upholstery Fabric (0.6kg) 	2.7%	<ul style="list-style-type: none"> • Upholstery Fabric (0.3kg) 	1.5%
Packaging	<ul style="list-style-type: none"> • Cardboard Carton & Internal Packaging (3kg) • Plastic Bag (0.1kg) • Recycled Paper (0.01kg) • Strapping (0.05kg) • Tape (0.05kg) 	93.5% 3.1% 0.3% 1.6% 1.6%	<ul style="list-style-type: none"> • Cardboard Carton & Internal Packaging (3kg) • Plastic Bag (0.1kg) • Recycled Paper (0.01kg) • Strapping (0.05kg) • Tape (0.05kg) 	93.5% 3.1% 0.3% 1.6% 1.6%	<ul style="list-style-type: none"> • Cardboard Carton & Internal Packaging (3kg) • Plastic Bag (0.1kg) • Recycled Paper (0.01kg) • Strapping (0.05kg) • Tape (0.05kg) 	93.5% 3.1% 0.3% 1.6% 1.6%

100%
Recyclable

100%
Recyclable

Certifications & Standards.

At Buro, we proudly stand behind all of our chairs.

With every chair we proactively work with a range of certifications and standards to ensure our products are of the highest quality and safe for the user and the environment.

Below are the Certifications and Standards the Buro Tidal Series has achieved;

GREENGUARD Certification

GREENGUARD certification ensures products have zero to low chemical emissions limits. GREENGUARD certified products are scientifically tested for prolonged exposure in environmental chambers to meet rigorous emissions standards for chemical exposure and pollutants, such as volatile organic compounds (VOCs), formaldehyde and phthalates.

AS/NZS 4438 / AFRDI Level 6 Certification¹

The Australasian Furnishing Research and Development Institute (AFRDI) is an independent not-for-profit organisation that provides standards, testing, product certification and research for buyers and sellers of furniture. AS/NZS 4438:1997 - Height adjustable office chairs, covers strength, durability, stability, flammability, workmanship, safety and ergonomics.

¹ AFRDI certification applies to Buro Tidal no arms models only.

ISO 9001 Certification (Quality Management)

An internationally recognised set of standards ensuring a manufacturer is focused on continual improvement, quality control, environment and customer satisfaction.

ISO 14001 Certification (Environmental Management)

An internationally recognised set of standards identifying requirements for an environmental management system. It sets out a framework a manufacturer can follow to identify impacts on the environment, define controls to prevent and reduce pollution and ensure compliance with legal requirement.

Ergonomics (Endorsement & Assessment)

**Buro chairs work harder,
so you can work better.**

Thank you for purchasing a Buro Tidal chair.

We understand you have a choice and appreciate that you have chosen a Buro chair.

The human body was not designed for sitting still, but for movement and variation. That's one of the philosophies behind Buro Seating, and a belief we share with the experts in ergonomic science who contributed to the Buro Seating range.

Leading physiotherapists, occupational therapists, some of the world's most informed health organisations and the latest intelligence in ergonomics - all these resources were brought together by our design team to create the chairs in the Buro Seating range.

That way, you know you're not just sitting on a chair, but on the best thinking in the business.

Australian Physiotherapy Association Endorsement.

Buro Seating is a proud Partner of the APA. The Buro Tidal Series have been assessed by the Australian Physiotherapy Association and meet or exceed their guidelines for ergonomic chairs.

Andrew Wilson - Osteopath and Ergonomist, Ergonomic Assessment.

The Buro Tidal Series has been ergonomically assessed by Andrew Wilson.

To view the ergonomic assessments go to:
<https://www.buroseating.com/resources>

Endorsed by:



Sustainable Living Fabrics.

Sustainable Living Fabrics are proudly designed and manufactured in Australia. 100% Carbon neutral, GECA & Low VOC certified with a 12 yr warranty. Sustainably designed, these quality fabrics are unique and durable.

sustainable
living
FABRICS

Origin: Made in Australia

End Use: Upholstery for seating and acoustic panels

Martindale Abrasion: 55,500 AS2001.2.25.2 Class 5 Commercial Heavy Duty Upholstery Fabric

Composition: 100% Eco-polyester

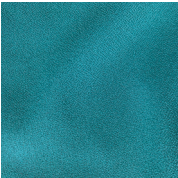
Measurements: Width 137cm. Roll Length: 40m approx.

Fire Test Reports: AS1530.3; AS/NZS 3837 -1998; IMO: A.652.

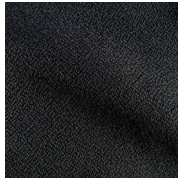
Buro Tidal Series Core Fabric Colour Options

Sustainable Living Fabrics Renegade; Deserter (Black) & Ranger (Teal) are the two standard fabric options for the Buro Tidal Series (with a 7-14 day lead time).

Sustainable Living Fabrics Renegade Range



**Renegade
'Ranger'**
(Teal) - 28



**Renegade
'Deserter'**
(Black) - 23

Sustainable Living Fabrics Certification & Warranty



Looking for another colour or fabric?

The entire range of Sustainable Living Fabrics are available for the Buro Tidal series. (Extended lead times apply).

Colour: Colour variations may occur from batch to batch. Colours on the Sustainable Living Fabrics website are indicative only. Please refer to fabric swatch for accurate colour.

sustainablelivingfabrics.com.au

Fabric Care.

General Method of Upholstery Cleaning

The following guideline refers to Sustainable Living Fabrics. It is to be used as a guideline only.

Aftercare Label 1: Use this label for Sustainable Living upholstery fabrics unless they have been soil resist treated.

Product type: Textile fabric, non-pile

Upholstery type: Non-removable covers

Regular care:

- Protect from direct sunlight
- Vacuum regularly using low suction
- Rotate reversible cushions regularly

Spot cleaning:

- Treat spills and stains as soon as possible
- Gently scrape any soil or mop any liquid from the surface of the fabric. Do not scrub
- Apply cleaning agents strictly according to instructions to remove the residue of the spill
- Do not saturate the fabric or interior with water or other cleaning liquids
- May be spot cleaned with drycleaning solvent.

Hot/Cold Extraction Cleaning:

- Do not remove cushion covers for separate cleaning, even though they do have zippers
- Clean with hot extraction machine
- Professional cleaning recommended
- Do not use dishwashing or laundry detergents
- Use only upholstery detergent
- Do not wet filling
- Dry in shade away from direct heat and sunlight
- Allow to dry thoroughly before re-use



On-site drycleaning:

- Clean with an on-site drycleaning machine
- Extract solvent thoroughly after application
- Wipe gently, do not rub
- CAUTION - exhaust solvent vapour outside building
- Provide adequate ventilation during cleaning and drying
- Allow to dry thoroughly before re-use
- Avoid use of room during drying period

Shampoo Cleaning:

- May be shampoo cleaned using upholstery shampoo
- Do not use dishwashing or laundry detergents
- Do not wet filling
- Wipe gently, do not rub
- Dry in shade away from direct heat or sunlight
- Allow to dry thoroughly before re-use.

Care & Maintenance.

Preventative Maintenance & Warning.

- Use this product only for seating one person at a time.
- Do not use this chair as a step stool/ladder.
- Do not sit on any part of the chair except the seat.
- Do not use this chair on uneven floor surfaces.
- Do not interfere with the operation of the gas lift.
- Do not use chair unless all bolts, screws and knobs are tight. At least every six months check all bolts, screws and knobs to ensure they are tight.
- If any parts are missing, broken, damaged or worn do not use the product until repairs are made using factory authorised parts.
- Dispose of packaging properly.
- Plastic bag is not a toy.
- Do not use plastic bag as a head covering as it may cause suffocation.
- Failure to follow these warnings could result in serious injury.

Chair Maintenance:

Do not use chair unless all bolts, screws and knobs are tight. At least every 6 months check all bolts, screws and knobs to ensure they are tight.

Upholstery*

Fabric: 100% Eco-Polyester

Fire Test Reports:

AS1530.3; AS/NZS 3837 -1998; IMO: A.652

**This applies only to standard Buro stock. Any customer specified upholstery may not meet these specifications.*

General Care:

To maintain the appearance of this product wipe surfaces with a clean, non-abrasive cloth dampened with a mild detergent solution. Do not remove any parts for separate cleaning. Protect from direct sunlight, heat and weather.

Fabric Care:

Please see Sustainable Living Fabrics Page 7.

Buro Tidal Series:



Mid Back
(with arms)

High Back
(with arms)

Mesh Back
(with arms)

Part List & Mechanism.

Buro Tidal Chair Part List.

Important Note:

Remove all items from the carton.
Verify all pieces before assembly.

Key	Qty	Description
1	5	Castors
2	1	Base
3	1	Gas Lift
4	1	Seat
5	1	Back
6	1	Back Post Cover ¹
7*	2	Arms*
8*	2	Arm Plugs*
9	3	Screw (5/16 x 7/8)
10	3	Washers (022)
11	1	Allen Wrench

* For Buro Tidal chairs purchased with arms.

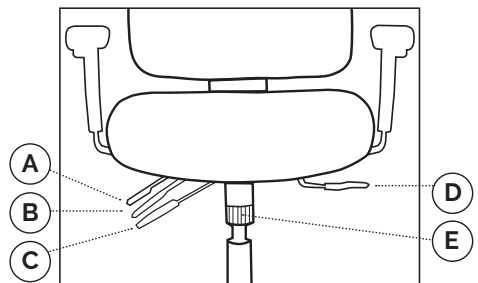
¹ For Buro Tidal Mid & High back chairs only.

Mechanism Operating Instructions.

Important Note:

Do not operate the mechanism levers
unless properly seated in the chair.

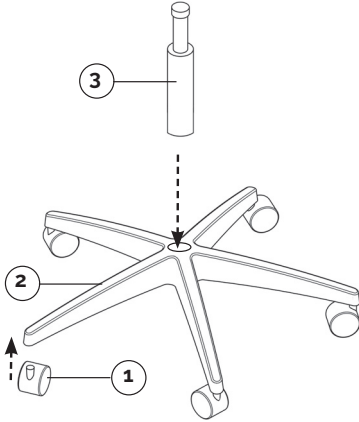
- A Backrest angle adjustment:**
Back angle adjusts independently
- B Seat angle adjustment:**
Seat angle adjusts independently
- C Seat Height:**
Gas Lift height adjustment
- D Seat Slide:**
Provides seat depth adjustment
for different user leg lengths
- E Tilt tension:**
Adjustable tilt tension dial



Assembly Instructions.

Buro Tidal High Back/Mid Back chairs - with/without arms

Step 1.

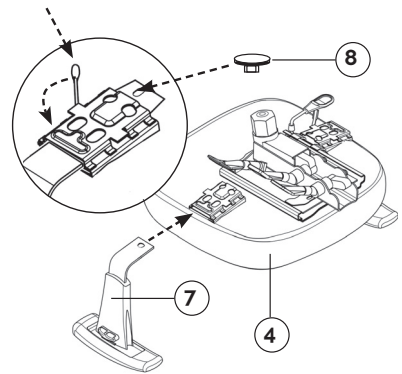


Step 2.

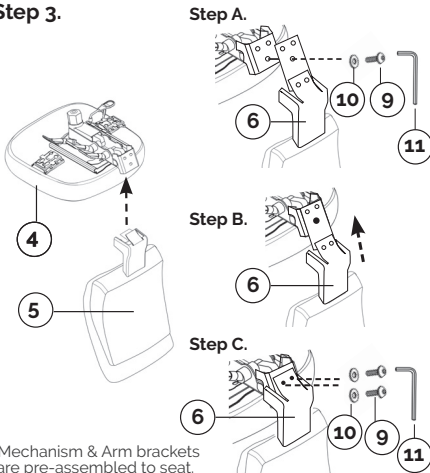
Arm assembly instructions.

This step only applies when purchased with arms.

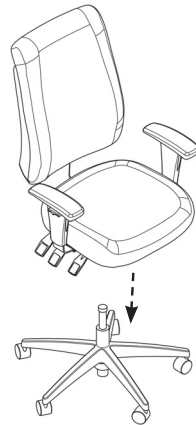
Adjust the arm width & lock the arm bracket lever into place.



Step 3.



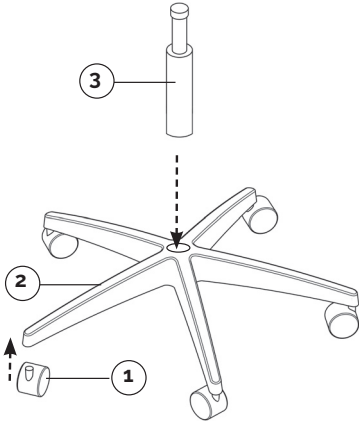
Step 4.



*Buro Tidal High Back Chair with arms pictured

Buro Tidal Mesh Back chair - with/without arms

Step 1.

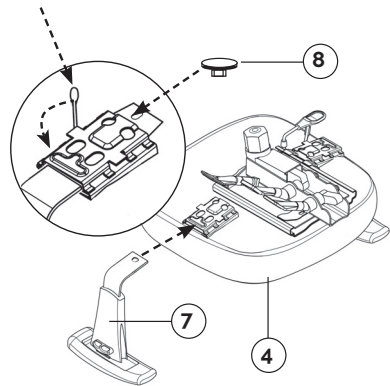


Step 2.

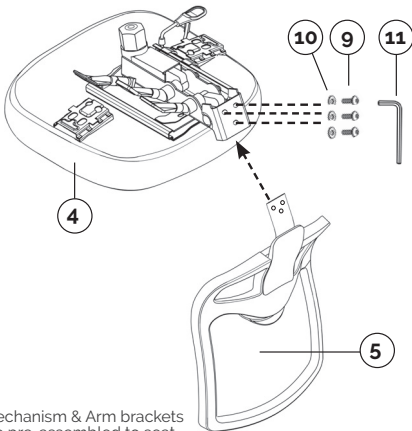
Arm assembly instructions.

This step only applies when purchased with arms.

Adjust the arm width & lock the arm bracket lever into place.

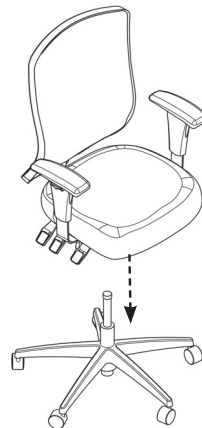


Step 3.



*Mechanism & Arm brackets are pre-assembled to seat.

Step 4.



*Buro Tidal Mesh Back Chair with arms pictured

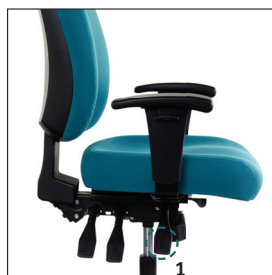
Tune Your Chair (Operating Instructions)

It is important to take time to correctly set up your new Buro Tidal chair to ensure your chair will fit and support *your* body, making the most of the excellent ergonomic functions.

Tune your Buro Tidal chair with our step-by-step operating instructions below or view our operating videos, to ensure optimal support and well-being.

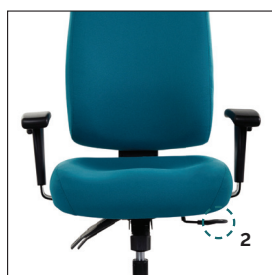
1 . Adjustable Seat Height

While sitting in the chair, lift the front right hand lever (1) to lower the seat to the desired seat height position. To raise the seat, lift the front right hand lever (1) while supporting your own weight off the seat.



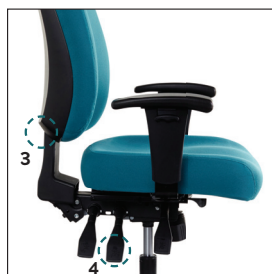
2 . Depth Adjustable Seat Slide

Pull out the right hand knob (2) on the left-hand-side of the chair, and slide the seat forwards or rearwards to achieve optimum leg support and sitting position.



3 . Ratchet Height Adjustable Backrest

Adjust the back height ratchet by slowly lifting the back (3) to the preferred height. To lower the back, lift the back to the highest position possible allowing the back to release, it will then reset to the lowest position.



4 . Seat Tilt Adjustment

To adjust the seat angle, lift the middle right hand lever (4) and tilt the seat to a comfortable position. Push the lever down firmly to LOCK the seat tilt mechanism in your desired position, or leave free floating if preferred.

5. Back Tilt Adjustment

To adjust the back angle, lift the rear right hand lever (5) and allow the back to tilt forwards or backwards to achieve the desired seating position. Push the lever down firmly to LOCK the back tilt mechanism in your desired position, or leave free floating if preferred.

6. Back Tilt Tension Adjustment

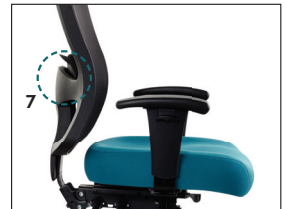
To adjust the back tilt tension turn the knob to increase and/or decrease the force required to tilt the back of the chair. Several turns of the tilt tension knob are required to loosen or tighten the tension to the desired amount of tension.

7. Lumbar Support Adjustment (Buro Tidal Mesh chair only)

Place both hands on either side of the lumbar support (7). Adjust the lumbar cushion by slowly 'lifting or lowering' the lumbar to the preferred position.

8. Arm Rest Adjustment - Height & Width (If optional arms are fitted)

To adjust the height of the arms, push the button (8) and raise or lower the arm to desired height. To adjust the width, undo the bolts under the seat (9) and select the next available width position and tighten the bolts back into place.



To view the Buro Tidal operating videos go to:

<https://www.buroseating.com/tune-your-chair/>

Or scan the
QR codes:



Buro Tidal HB/MB



Buro Tidal Mesh

Buro 10 Year Guarantee.

When the going gets tough, you'll always have our support.



Our guarantee is your assurance that our chairs are made to the highest standards of quality, ergonomics comfort & durability.

What we do isn't simply about chairs. It's about helping you succeed. Because at Buro Seating, we understand every chair you choose is a partner in your success.

That's why we've gone to great lengths to create chairs that deliver comfort with maximum flexibility, superior ergonomic performance and, of course, time-defeating quality.

That's why we're proud to firmly back the quality of your Buro Tidal chair with a ten year guarantee.*

If for any reason you are not entirely satisfied with your Buro Tidal chair, please contact your authorised Buro dealer.

*Your Buro Tidal chair is guaranteed for 10 years (commencing from the date of purchase) to the original purchaser against faulty manufacture. This excludes the upholstery material and fair wear and tear. The guarantee is subject to the chair being used for its designed purpose and a single shift duration i.e. 40 hours per week.

Please refer to [buroseating.com](https://www.buroseating.com) for guarantee terms & conditions.

Register Your New Buro Tidal Chair

To register your new Buro Tidal chair for our 10 year comprehensive guarantee go to:

<https://www.buroseating.com/register/>

Or scan the QR code below:

