

Dual Arm & Desktop Monitor Mount

Mounting Options

Double arm desktop monitor mount includes bolt through and desk clamp mount options.

Note Desk clamp mounting option is only suitable for displays in side by side configuration.

Desk Clamp

Suits desktop thicknesses of 0mm-76mm (0"-3")

Bolt Through

Suits desktop thicknesses of 12mm-40mm (0.5"-1.5")

Display Mounting Options

Suits 100mm x 100mm mounting hole pattern

Display weight compatibility

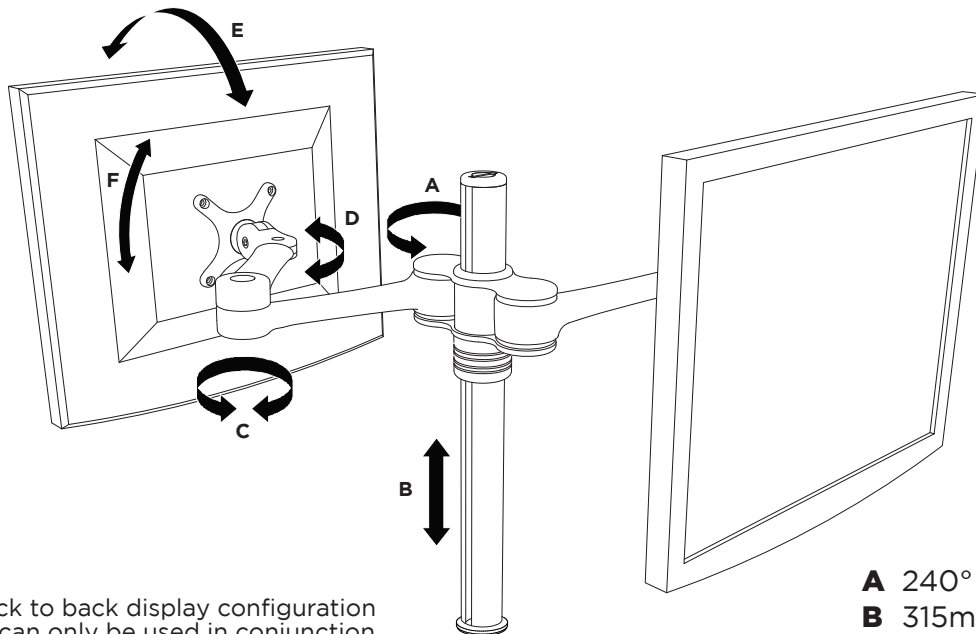
Max. 8kg (17.6lbs) per display

Consist of

Monitor arm
Fasteners
Mounting hardware

Warranty

10 years limited



Note

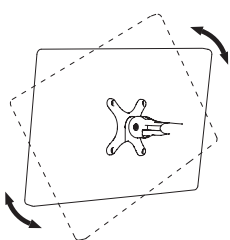
The back to back display configuration shown can only be used in conjunction with the bolt through mounting option.

The range of movement shown here applies to both arms of Visidec Focus articulated arm double

Please read the installation instructions before mounting Visidec Focus articulated arm double.

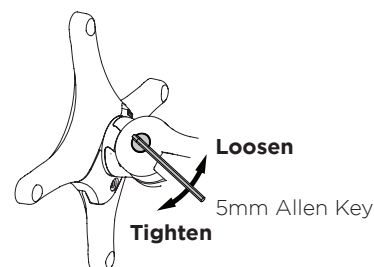
- A** 240° rotation at shoulder
- B** 315mm (12.5") height adjustment range
- C** 360° articulation of arms
- D** 180° pan adjustment
- E** Tilt $\pm 70^\circ$
- F** $\pm 95^\circ$ Portrait/landscape adjustment

Portrait/ Landscape



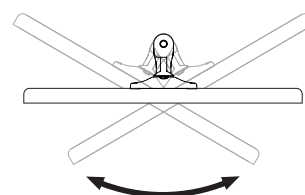
No Allen Key necessary

Tilt (Screen angle up/down)



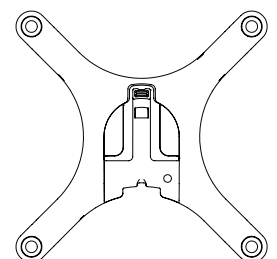
Note: Support Screen when adjusting tilt.

Pan (Screen angle left/right)

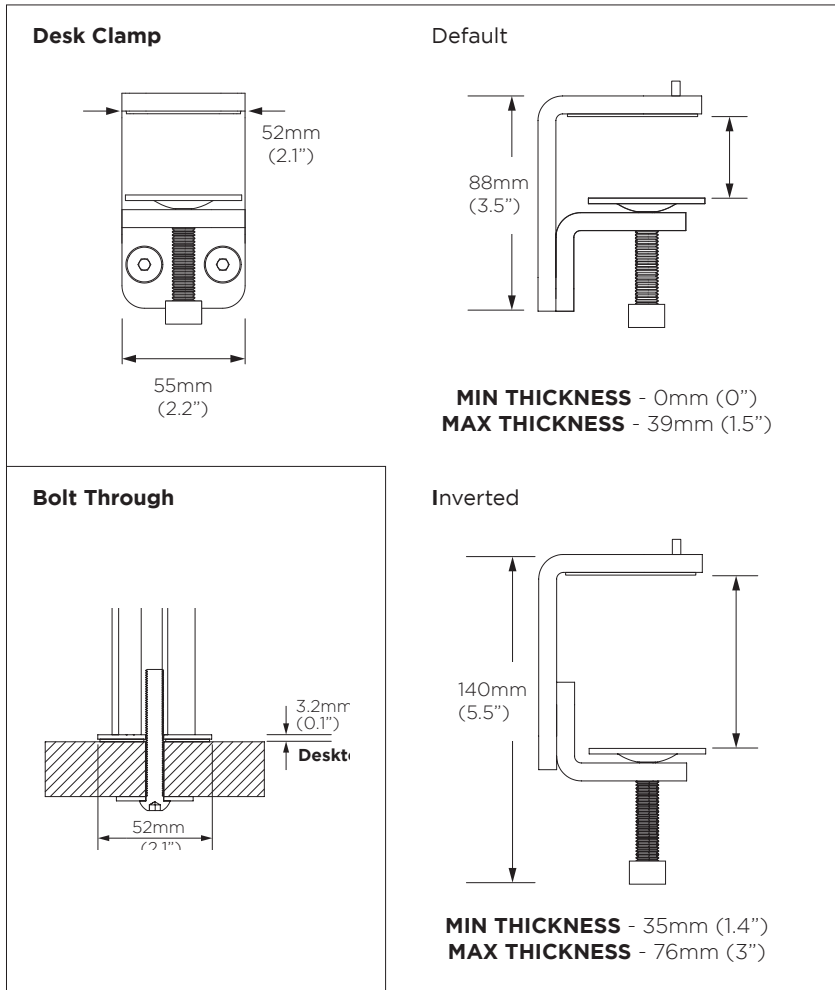


No Allen Key necessary

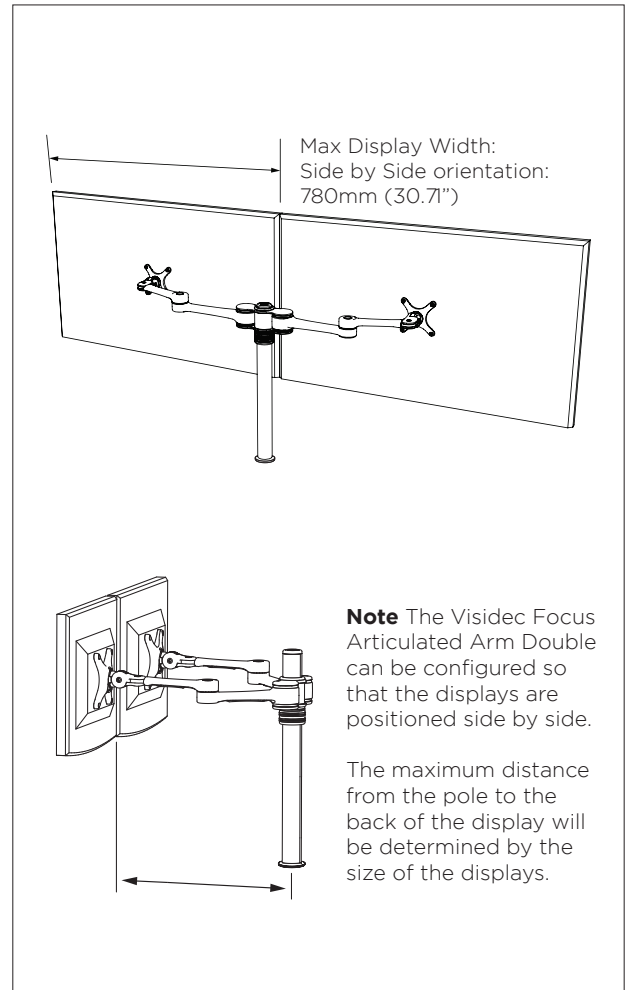
100mm x 100mm VESA hole pattern



Mounting Options



Side By Side



Side By Side

