

## Accord L-Shape Desk Measurements

Please complete and return to Ergolink

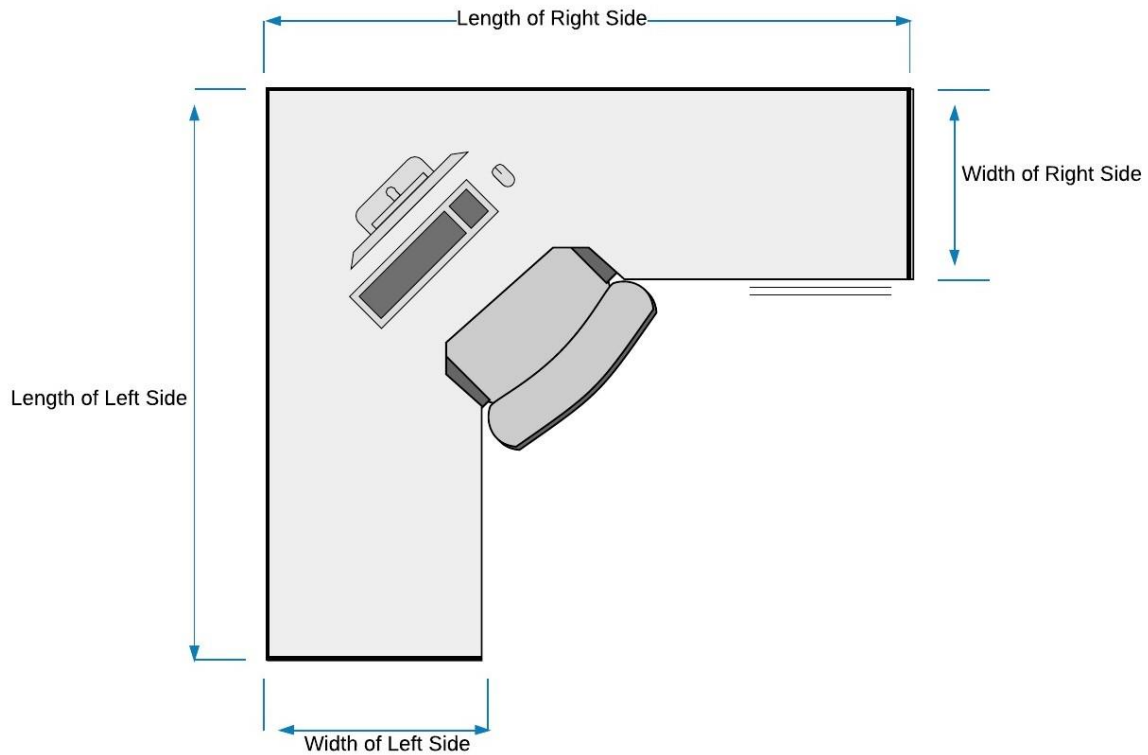
Organisation Name:

Contact Name:

Contact Phone:

Contact Email:

ID Name of Desk:



### Measurements

Length of **Right** Side in mm:

Width of **Right** Side in mm:

Length of **Left** Side in mm

Width of **Left** Side in mm:

.

### Options

Colour:

Feet:

Please mark clearly on the picture with an "X", the position of any required cable entry holes

**Please return to: [Sales@ergolink.com.au](mailto:Sales@ergolink.com.au)**